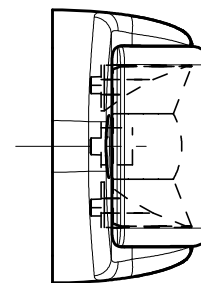
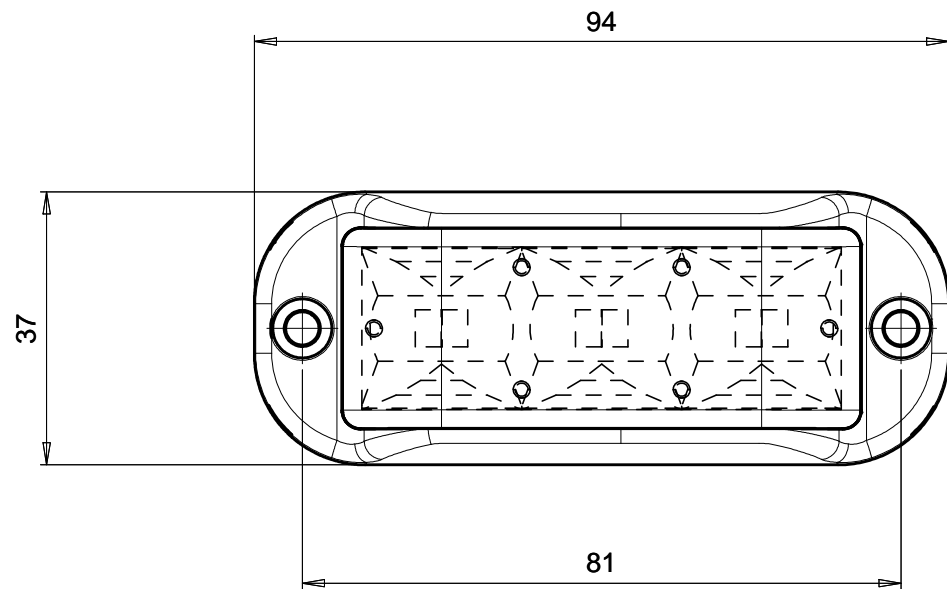
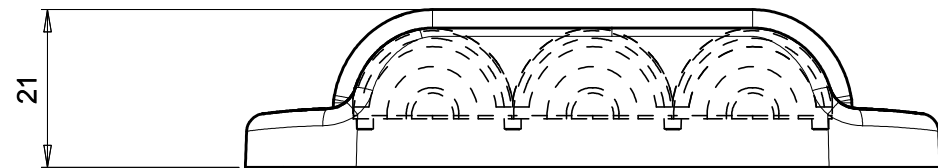


REVISIONS				
ZONE	REV.	DESCRIPTION	DATE	APPROV.



	NAME	DATE	SIG.			
DRAWN				<b>BX31 WITH BEZEL</b>		
DESIGN						
CHECKED						
APPROVED				SIZE A3	REV.	DWG. No.
SURF. TEXTURE		OVERALL TOL.		SCALE	SHEET 1 OF 1 SHEETS	