

51 Winthrop Road
Chester, Connecticut 06412-0684
Phone: (860) 526-9504
Sales Email: autosale@whelen.com
Canadian Sales: canadiansales@whelen.com
Customer Service: custserv@whelen.com

Safety First: This document provides all the necessary information to allow your Whelen product to be properly and safely installed. Before beginning the installation and/or operation of your new product, the installation technician and operator must read this manual completely. Important information is contained herein that could prevent serious injury or damage.

- Proper installation of this product requires the installer to have a good understanding of automotive electronics, systems and procedures.
- Whelen Engineering requires the use of waterproof butt splices and/or connectors if that connector could be exposed to moisture.
- If mounting this product requires drilling holes, the installer MUST be sure that no vehicle components or other vital parts could be damaged by the drilling process. Check both sides of the mounting surface before drilling begins. Also de-burr any holes and remove any metal shards or remnants. Install grommets into all wire passage holes.
- Do not install this product or route any wires in the deployment area of your air bag. Equipment mounted or located in the air bag deployment area will damage or reduce the effectiveness of the air bag, or become a projectile that could cause serious personal injury or death. Refer to your vehicle owner's manual for the air bag deployment area. The User/Installer assumes full responsibility to determine proper mounting location, based on providing ultimate safety to all passengers inside the vehicle.
- For this product to operate at optimum efficiency, a good electrical connection to chassis ground must be made. The recommended procedure requires the product ground wire to be connected directly to the NEGATIVE (-) battery post.
- If this product uses a remote device to activate or control this product, make sure that this control is located in an area that allows both the vehicle and the control to be operated safely in any driving condition.
- Do not attempt to activate or control this device in a hazardous driving situation.
- This product contains either strobe light(s), halogen light(s), high-intensity LEDs or a combination of these lights. Do not stare directly into these lights. Momentary blindness and/or eye damage could result.
- Use only soap and water to clean the outer lens. Use of other chemicals could result in premature lens cracking (crazing) and discoloration. Lenses in this condition have significantly reduced effectiveness and should be replaced immediately. Inspect and operate this product regularly to confirm its proper operation and mounting condition. Do not use a pressure washer to clean this product.
- **WARNING!** All customer supplied wires that connect to the positive (+) terminal of the battery must be sized to supply at least 125% of the maximum operating current and FUSED "at the battery" to carry that load. DO NOT USE CIRCUIT BREAKERS WITH THIS PRODUCT!
- **FAILURE TO FOLLOW THESE PRECAUTIONS AND INSTRUCTIONS COULD RESULT IN DAMAGE TO THE PRODUCT OR VEHICLE AND/OR SERIOUS INJURY TO YOU AND YOUR PASSENGERS!**

Installation and Wiring:

Caution: Permanent mounting of this product requires drilling. It is absolutely necessary to make sure that no other vehicle components could be damaged by this process. Check both sides of the mounting surface before starting. If damage is likely, select a different location.

WARNING! All customer supplied wires that connect to the positive terminal of the battery must be sized to supply at least 125% of the maximum operating current and FUSED "at the battery" to carry that load. DO NOT USE CIRCUIT BREAKERS WITH THIS PRODUCT!

1. Using the dimensions shown, mark the 2 mounting hole locations and wire access hole location onto the mounting surface. **IMPORTANT! This product was designed to be mounted as shown. Do not mount vertically!**
2. Drill the two, 0.250" diameter mounting holes and a 0.750" diameter wire access hole into the mounting surface.
3. Insert the slotted hole screw grommet through the mounting holes on the lighthouse assembly so that it is fully seated in the lighthouse housing.

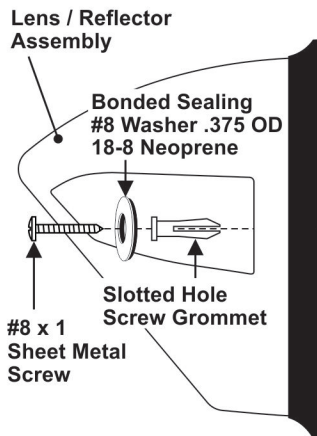
4. Feed the lighthouse wires through the wire access hole in the mounting surface. Press the lighthouse assembly firmly against the mounting surface so that it lays flat. With the assembly in position, and using the hardware provided, tighten the mounting screws until the lighthouse assembly is drawn firmly against the mounting surface. A torque value of 12 in-lb. (max.) is typically required to achieve this. DO NOT OVER-TIGHTEN!
5. Using appropriately sized wires (minimum 18 AWG), extend the lighthouse wires to their designated connections. Refer to the Diagram shown for writing and fusing information.

Operation:

Apply +VBAT to the WHITE wire to activate the lighthouse.

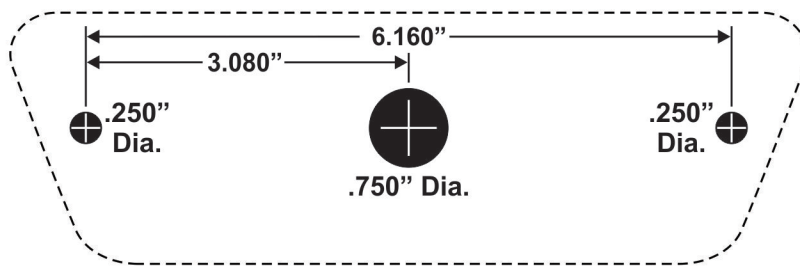
IMPORTANT! It is the responsibility of the installation technician to make sure that the installation and operation of this product will not interfere with, or compromise, the operation or efficiency of any vehicle equipment!

Note: This product is for installation on flat, smooth surfaces only. Do not install on Diamond Plate surfaces.

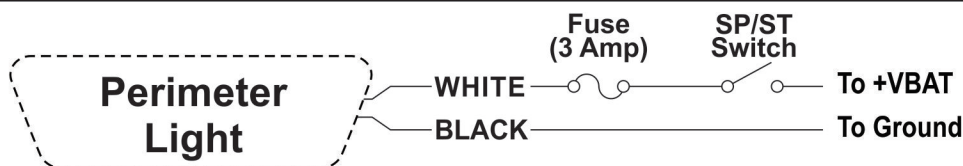


MOUNTING SURFACE

MOUNTING DIMENSIONS



WIRING DIAGRAM



NOTE: All fuses and switches are customer supplied

Waterproof butt splices and/or connectors are required if that connection could be exposed to moisture. Any unused wires must be sealed (waterproofed) to prevent moisture infiltration.

Operating Voltage: 10-30V
Input Current @ 25.6V: 430mA
Input Current @ 12.8V: 850mA