



PacRac+®

Instrument Table

Model FWEPR+ IT / Model FWEPR+ PX1



Read this Manual and Retain
for Future Reference



FERNO®

Users' Manual

AUGUST 2021

Pub. No. 00148-AU-V4

Ferno Customer Service

For ordering assistance or general information:

CANADA AND THE U.S.A.

Telephone (Toll-free)	1.877.733.0911
Telephone	1.937.382.1451
Fax (Toll-free)	1.888.388.1349
Fax	1.937.382.1191
Internet	www.ferno.com

AUSTRALIA

Ferno Australia, 11 Johnstone Road
Brendale, Queensland 4500, Australia


Telephone	+61 7 3881 4999
Fax	+61 7 3881 1125
Email	info@ferno.com.au
Internet	www.ferno.com.au

ALL OTHER LOCATIONS

For assistance or information, please contact your Ferno distributor. If you do not have a Ferno distributor, please contact Ferno Customer Relations:

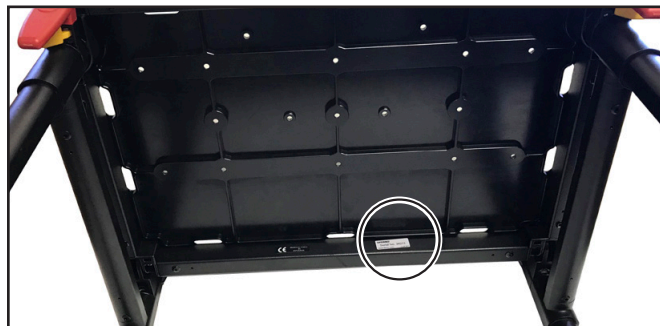
Ferno-Washington, Inc., 70 Weil Way
Wilmington, Ohio 45177-9371, U.S.A.

Telephone	Country Code +1.937.382.1451
Fax	Country Code +1.937.382.6569
Internet	www.ferno.com



USERS' MANUALS

To request additional free users' manuals, contact Ferno Customer Relations, your Ferno distributor, or www.ferno.com.



Serial Number _____

Location: Rear cross tube under tray

Disclaimer

This manual contains general instructions for the use, operation and care of this product. The instructions are not all-inclusive. Safe and proper use of this product is solely at the discretion of the user. Safety information is included as a service to the user. All other safety measures taken by the user should be within and under consideration of applicable regulations and local protocol. Training on the proper use of this product must be provided before using this product in an actual situation.

Retain this manual for future reference. Include it with the product in the event of transfer to new users. Additional free copies are available upon request from Customer Relations.

Proprietary Notice

The information disclosed in this manual is the property of Ferno-Washington, Inc., Wilmington, Ohio, USA. Ferno-Washington, Inc. reserves all intellectual property rights, proprietary design rights, manufacturing rights, reproduction use rights, and sales use rights thereto, and to any article disclosed therein except to the extent those rights are expressly granted to others or where not applicable to vendor proprietary parts.

Limited Warranty Statement

The products sold by Ferno are covered by a limited warranty, which is printed on all Ferno invoices. The complete terms and conditions of the limited warranty, and the limitations of liability and disclaimers, are also available upon request by calling Ferno at 1.800.733.3766 or 1.937.382.1451.



Ferno Australia Pty Ltd
11 Johnstone Road, Brendale
Queensland 4500, Australia



Ferno S.r.l.
via B. Zallone, n. 26,
40066 Pieve di Cento, Bologna, Italy
+35 051 6860028



Ferno (UK) Limited
Stubs Beck Lane, Cleckheaton
West Yorkshire BD19 4T, UK
+44 1274 851999



TABLE OF CONTENTS

Section	Page	Section	Page
Ferno Customer Service	2		
1 - Safety Information	4	6 - Maintenance	23
1.1 Warning	4	6.1 Maintenance Schedule	23
1.2 Important	4	6.2 Disinfecting the Straps	23
1.3 Tip	4	6.3 Cleaning the Straps	23
1.4 Symbol Glossary	4	6.4 Disinfecting the PacRac+	23
1.5 Safety and Instruction Labels	5	6.5 Cleaning the PacRac+	23
1.6 Bloodborne Disease Notice	5	6.6 Lubricating the PacRac+	24
1.7 Terminology Notice	5	6.7 Inspecting the PacRac+	24
2 - Operator Focus	5	7 - Parts and Service	25
2.1 Skills	5	7.1 U.S.A. and Canada	25
2.2 Training	5	7.2 Worldwide	25
3 - About the PacRac+	6	7.3 Parts List	25
3.1 Description	6	Training Record	26
3.2 General Specifications	6	Maintenance Record	27
3.3 Components	7		
4 - Setup	8		
4.1 Attaching the PacRac+ Mounts to a Mondial® Monobloc	8		
4.2 Attaching the PacRac+ Mounts to an iNjX	10		
4.3 Attaching the PacRac+ Fixing Poles to a POWERX (UK)	11		
4.4 Attaching the PacRac+ Mounts to a POWER X1 (US)	12		
4.5 Attaching the Straps	13		
5 - Using the PacRac+	14		
5.1 Before Placing the PacRac+ in Service	14		
5.2 General Guidelines for Use	14		
5.3 Unfolding the PacRac+ for Use	15		
5.4 Attaching the PacRac+ to a cot or iNjX	16		
5.5 Removing the PacRac+	17		
5.6 Using the IV Poles	18		
5.7 Securing Instruments on the PacRac+	19		
5.8 Patient Transfer	21		
5.9 Folding and Storing the PacRac+	22		

1 - SAFETY INFORMATION

1.1 Warning

Warning notices indicate a potentially hazardous situation which, if not avoided, could result in injury or death.

WARNING

Untrained operators can cause injury or be injured. Permit only trained personnel to use the PacRac+.

Improper use of the PacRac+ can cause injury. Use the PacRac+ only for the purpose described in this manual.

Improperly securing the PacRac+ to the cot or iNjX can cause injury. Secure the PacRac+ only as instructed in this manual.

Improperly securing items on the PacRac+ can cause injury or damage. Use the straps provided, plus additional straps when needed, to secure items on the PacRac+.

Exceeding the load limit can cause injury or damage. Include the weight of the IV fluid bags when calculating the load. Observe the 55 lb/25 kg load limit when attaching items to the PacRac+.

Unlocking both sides of the PacRac+ can cause injury. Unlock ONLY one PacRac+ side frame at a time. Use the PacRac+ only for the purpose described in this manual.

Improper maintenance can cause injury. Maintain the PacRac+ only as described in this manual.

Improper parts and service can cause injury. Use only Ferno parts and Ferno-approved service on the PacRac+.

Modifying the PacRac+ can cause injury and damage. Use the PacRac+ only as designed by Ferno.

1.2 Notice

Notices emphasize important, but not hazard-related information. Failure to follow Notices could result in product or property damage.

NOTICE

1.3 Tip

Tips provide recommendations for easier use of the product.

1.4 Symbol Glossary

The symbols defined at right are used on the PacRac+ and/or in this users' manual. Ferno uses symbols recognized by the International Standards Organization (ISO), American National Standards Institute (ANSI) and the emergency medical services industry.

Acronyms used in this manual are defined below.

Acronym	Definition
CSK SCS	Countersunk Socket Cap Screw
BHCS	Button Head Cap Screw
SHCS	Socket Head Cap Screw

General Warning of Potential Injury	Read the Users' Manual	One Trained Operator Required	Do Not Lubricate
PacRac+ Load Limit (Safe Working Load)	IV Pole Load Limit (Safe Working Load)	Unlocked	Locked
Product meets European Union Standards	Product meets United Kingdom Standards		

1.5 Safety and Instruction Labels

Safety and instruction labels place important information from the users' manual on the PacRac+. Read and follow label instructions. Replace worn or damaged labels immediately. New labels are available from EMSAR or from your distributor (page 25).

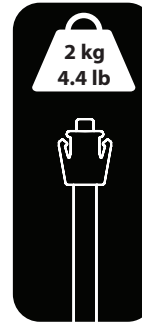
1.6 Bloodborne Disease Notice

To reduce the risk of exposure to bloodborne diseases such as HIV-1 and hepatitis when using the PacRac+, follow the disinfecting and cleaning instructions in this manual.

1.7 Terminology Notice

Terminology varies from region to region. In this manual, the following term is used:

- Cot – The folding bed on which a patient travels inside an ambulance. In this manual, "cot" represents any of the following: ambulance cot, transporter, mobile transporter, stretcher-transporter, trolley, gurney, etc.



IV Pole Load Limit Label (affixed to the IV pole). The label specifies the load limit for the IV pole.



Side Frame Release Label (affixed near the handle). The label provides instructions for using the handle.

2 - OPERATOR FOCUS

2.1 Skills

Operators using the PacRac+ need:

- a working knowledge of emergency patient-handling procedures.
- the ability to assist the patient.

2.2 Training

Operator trainees need to:

- read and understand this manual.
- be trained on the use of the PacRac+.
- practice with the PacRac+ before using it with a patient.
- record their training information. A sample training record sheet is provided on page 26.

 WARNING
Untrained operators can cause injury or be injured. Permit only trained personnel to use the PacRac+.

3 - ABOUT THE PACRAC+

3.1 Description

The PacRac+® Instrument Table (called the PacRac+ in this manual) is an accessory that mounts to an ambulance cot or iNjX®. The PacRac+ is designed to secure medical instruments such as a defibrillator and/or heart monitor.

The PacRac+ is for professional use only, by a minimum of one trained operator. The PacRac+ is designed and tested for use during patient transport in a ground-based ambulance.

The PacRac+ has been dynamically crash tested and certified to meet the requirements of SAE J3043. All PacRac+ models meet the requirements of RoHS-2.

COMPATIBLE COTS

The PacRac+ is compatible with Ferno® Mondial® Monobloc series cots, POWERX (UK), POWER X1 (US) and with the iNjX® Integrated Patient Transport & Loading System™.

Model FWEPR+ PX1 for POWER X1 (US) is 1 in / 25 mm wider than other models to accommodate the cot's wider width.

PacRac+ Model	Compatible with	Additional Mount Kits required
FWEPR+ IT	<ul style="list-style-type: none"> iNjX Mondial Monobloc 	Included with PacRac+
FWEPR+ IT	<ul style="list-style-type: none"> POWERX (UK) 	Fixing Kit PacRac+ for POWERX (009010150)
FWEPR+ PX1	<ul style="list-style-type: none"> POWER X1 (US) 	Included with PacRac+

FEATURES

- All-aluminum frame
- Side frames swing open to allow patient to be moved onto or off from the cot or iNjX without removing the PacRac+
- Side frames fold for compact storage
- Fast and simple mounting to cot or iNjX
- 4 straps to secure instruments on the PacRac+
- 2 integrated, telescoping IV poles for hanging intravenous fluid bags
- Hook-and-loop straps secure IV fluid bags to the IV poles
- Integrated Ferno iNjTRAXX system within the tray top



WARNING

Improper use of the PacRac+ can cause injury. Use the PacRac+ only for the purpose described in this manual.

3.2 General Specifications

Most general specifications are rounded to the nearest whole number. Metric conversions are calculated before rounding the Imperial measurements. For more information, contact Ferno Customer Relations (page 2) or your Ferno distributor.

Ferno reserves the right to change specifications without notice.

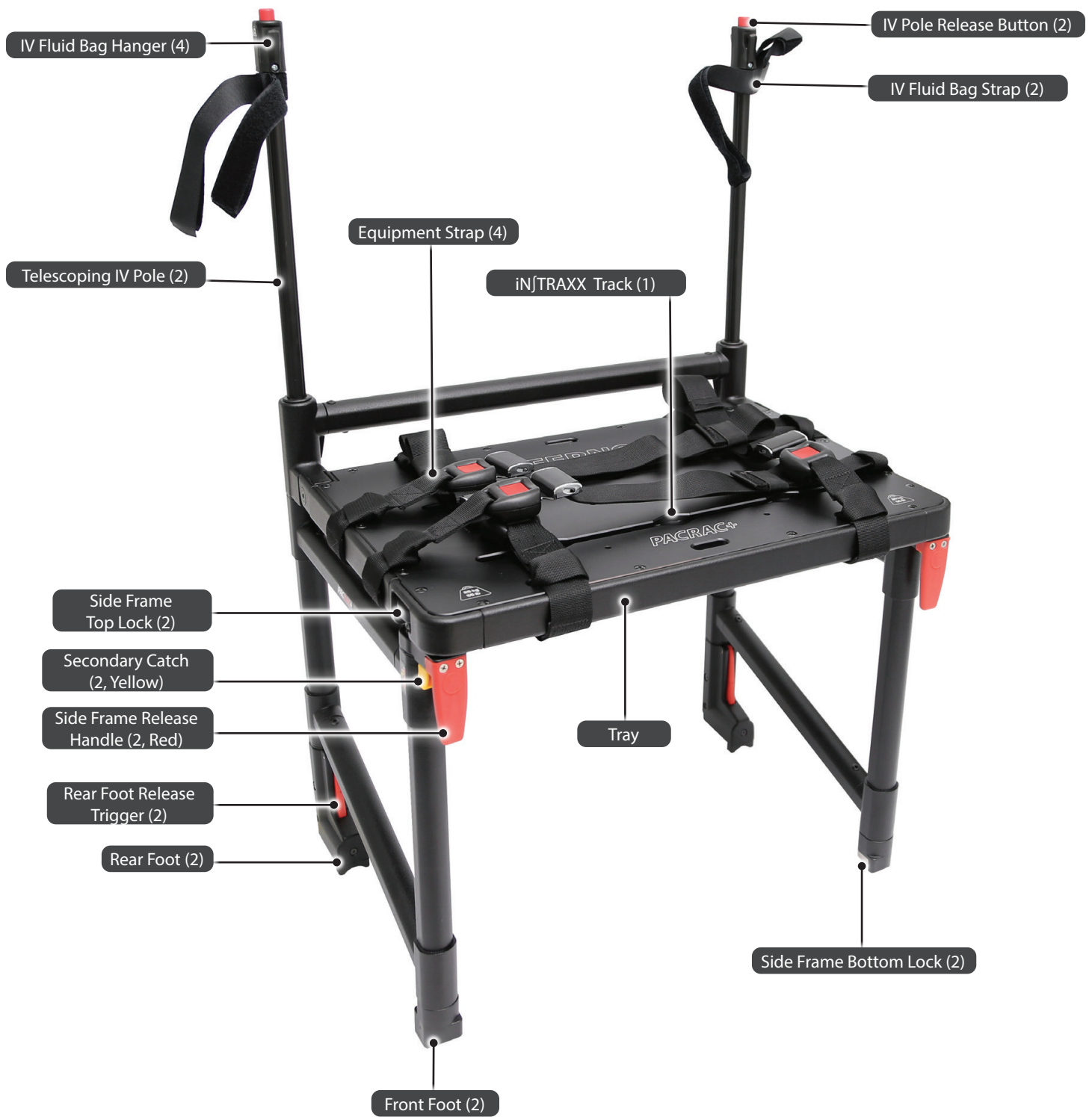


Load Limit (Safe Working Load)

Include the weight of the IV fluid bags when calculating the load. Inspect the PacRac+ if the load limit has been exceeded (See *Inspecting the PacRac+*, page 24).

Specification	Imperial	Metric
General Specifications		
Construction	Aluminum	
Load Limit (Safe Working Load)	55 lb	25 kg
Weight	16 lb	7.2 kg
Unfolded for Use		
Height at Tray	17 in.	435 mm
Height at IV Pole button (pole fully retracted)	22 in.	560 mm
Height at IV Pole button (pole fully extended)	34 in.	858 mm
Width - FWEPR+ IT	20.9 in.	530 mm
Width - FWEPR+ PX1	21.9 in.	555 mm
Depth	16.5 in.	420 mm
Folded for Storage		
Height	< 5 in.	< 120 mm
Width - FWEPR+ IT	21 in.	530 mm
Width - FWEPR+ PX1	21.8 in.	555 mm
Depth	23 in.	560 mm

3.3 Components



4 - SETUP

4.1 Attaching the PacRac+ Mounts to a Mondial® Monobloc

Attach the PacRac+ mounts (Figure 1, provided) to the cot main frame to prepare the cot for use with the PacRac+. The PacRac+ attaches to the control end (or foot end) of the cot, above the shock frame (Figure 2).

KIT COMPONENTS - FWEPR+ IT

Parts Included	Qty.
Front-foot mount	2 ea.
Rear-foot mount	2 ea.
M6x25 CSK SCS with nylon patch	2 ea.
M5x40 CSK SCS with nylon patch	4 ea.
M6x45 BHCS with nylon patch	4 ea.

Tools Required	Qty.
3 mm Hex wrench	1 ea.
4 mm Hex wrench	1 ea.
#1 Phillips screwdriver	1 ea.

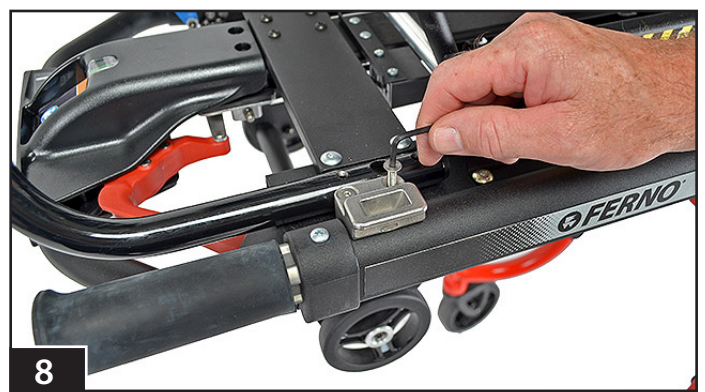
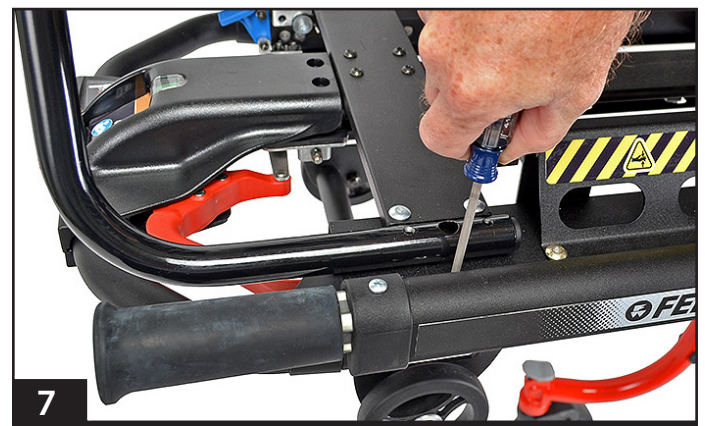
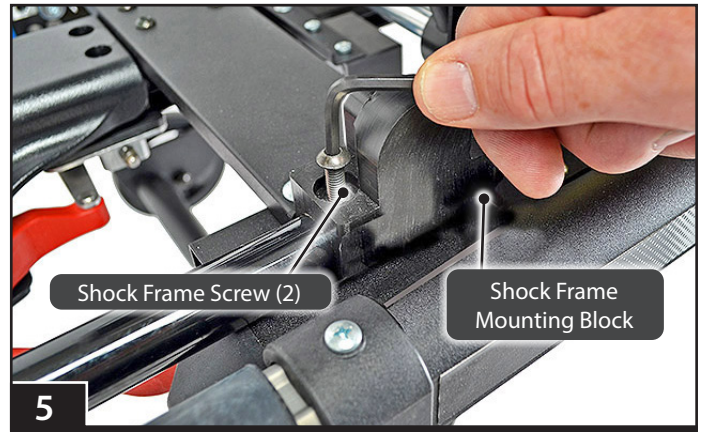
ATTACHING THE FRONT-FOOT MOUNTS

1. Using a 4 mm hex wrench, remove the screw from the accessory mounting point on the cot main frame, near the sidearm (Figure 3). Discard this screw.
2. Orient the funnel of the front-foot mount upward and insert an M6x25 screw (provided) with the head of the screw inside the funnel.
3. Using a 4 mm hex wrench, attach the front-foot mount to the cot main frame (Figure 4). Fully tighten the screw.
4. Repeat Steps 1-3 on the opposite side of the cot.



ATTACHING THE REAR-FOOT MOUNTS

- Using a 4 mm hex wrench, remove the two screws from one shock-frame mounting block (Figure 5).
Set aside the mounting block. Discard the screws.
- Using a #1 Phillips screwdriver, remove the two black screws from the accessory-mounting point on the cot main frame, near the footrest (Figures 6-7). Discard the screws.
- Slide the lip of the rear-foot mount block (Figure 1, page 8) under the edge of the cot main frame extrusion and align the two holes in the rear-foot mount block with the accessory-mounting point holes in the cot main frame (Figure 8).
- Using a 3 mm hex wrench and two M5x40 screws, secure the rear-foot mount to the cot main frame (Figure 8). Fully tighten the screws.
- Repeat Steps 1-4 on the opposite side of the cot.
- Verify the cot footrest is in position. If it was removed to install the PacRac+ mounts, position the footrest with the frame facing upward as shown in Figure 2, page 8.
- Using a 4 mm hex wrench, reattach the two shock-frame mounting blocks with four new M6x45 pan-head screws (provided).

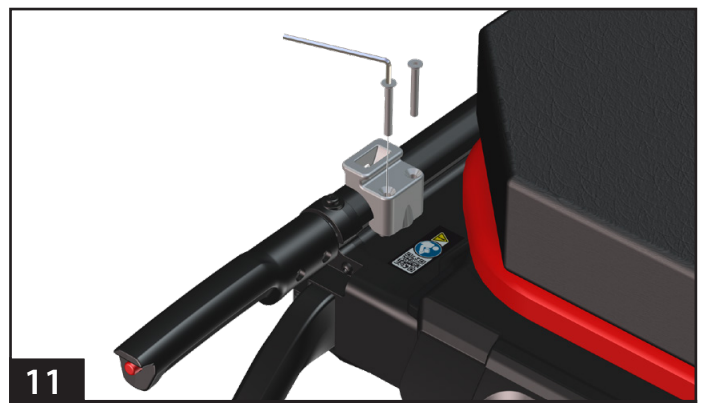
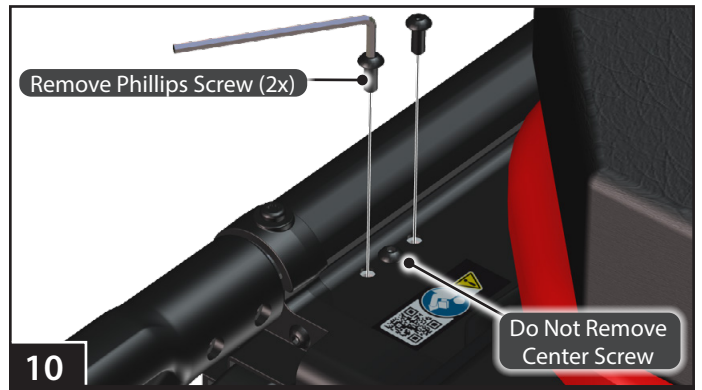
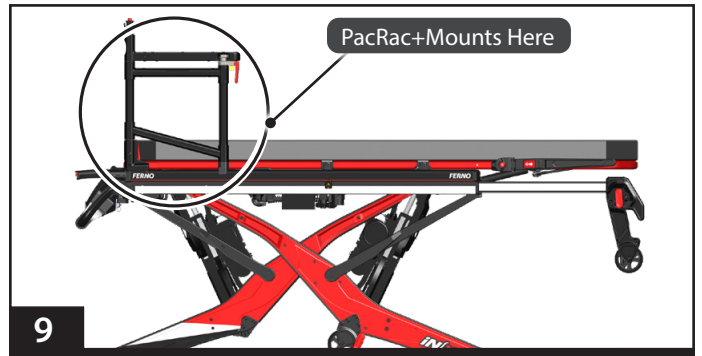


4.2 Attaching the PacRac+ Mounts To an iNjX

Attach the PacRac+ mounts (Figure 1 page 8, provided) to the iNjX main frame to prepare it for use with the PacRac+. The PacRac+ attaches to the control end (or foot end) of the iNjX, above the shock frame (Figure 9).

ATTACHING THE REAR-FOOT MOUNTS

1. Discard from the kit two front-foot mounts and two M6x25 screws. You will not need them to install the mounting blocks on an iNjX.
2. Using a 3 mm hex wrench, remove the two outer screws from the accessory mounting point on the iNjX main frame, near the footrest, leaving the center of three screws in place (Figure 10). Discard the two screws that you removed.
3. Slide the lip of the rear-foot mount block (Figure 1, page 8) under the edge of the iNjX main frame extrusion and align the two holes in the rear-foot mount block with the accessory-mounting point holes in the iNjX main frame (Figure 11).
4. Using a 3 mm hex wrench and two M5x40 screws, secure the rear-foot mount to the iNjX main frame (Figure 11). Fully tighten the screws.
5. Repeat Steps 2-4 on the opposite side of the iNjX.



4.3 Attaching the PacRac+ Fixing Poles to a POWERX (UK)

The PacRac+ is attached to POWERX (UK) using 2 extension poles which are attached at the foot-end of the cot, fitted into the push-pole storage frame.

PacRac Fixing Kit for POWERX (UK) (009010150)

Parts Included	Qty.
Front-foot mount	2 ea.
Extension Pole (Left Hand)	1 ea.
Extension Pole (Right Hand)	1 ea.
M6x25 CSK SCS with nylon patch	2 ea.

Tools Required	Qty.
4 mm Hex wrench	1 ea.



1. Remove the trolley push poles from the storage frame at the foot-end at each side of the cot.
2. Place a PacRac+ fixing extension pole into the storage frame at each side (Figure 13), pushing the pole in far enough so that the hole in the trolley frame lines up with the fixing hole in the extension pole.
3. Using a 4mm hex wrench and the screws supplied, attach the foot-mount to the top of the trolley frame, screwing through the hole into the extension pole that is located inside the storage frame (Figures 13 and 14).
4. Once the extension poles have been fixed tight in place, the PacRac+ can be attached to the cot (Figures 15 - 17).

4.4 Attaching the PacRac+ Mounts to a POWER X1 (US)

Attach the PacRac+ mounts (Figure 18, provided) to the POWER X1 (US) side rail to prepare it for use with the PacRac+. The PacRac+ attaches to the control end (or foot end) of the cot (Figure 19).

KIT COMPONENTS - FWEPR+ PX1

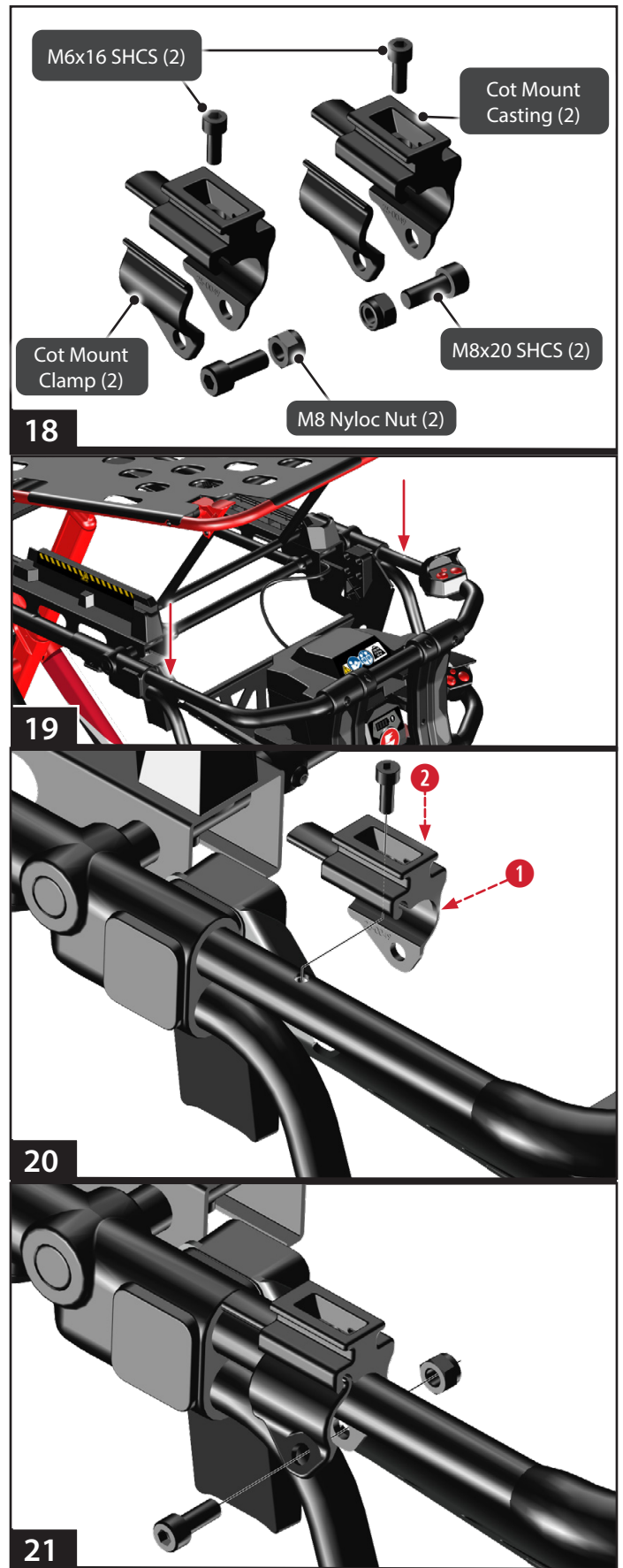
Parts Included	Qty.
Cot Mount Clamp	2 ea.
Cot Mount Casting	2 ea.
M8x20 SHCS	2 ea.
M8 Nyloc Nut	2 ea.
M6x16 SHCS with Nylon Patch	2 ea.

Tools Required	Qty.
5 mm Hex wrench	1 ea.
6 mm Hex wrench	1 ea.
13 mm Spanner	1 ea.

ATTACHING THE PACRAC+ FOR POWER X1 (US) MOUNTS

Check that all mount kit components are present (Figure 18).

- Place the cot mount casting on to the POWER X1 (US) side rail, aligning the casting's screw hole over the screw hole in the side rail (Figure 20, ①).
- Using a 5 mm hex wrench and one M6x16 SHCS, secure the cot mount clamp to the POWER X1 (US)'s side rail (Figure 20, ②).
- Fit the cot mount clamp to the cot mount casting, ensuring the mount clamp lip is interlocked with the mount casting and the screw holes on both the casting and clamp are aligned (Figure 21).
- Secure the mount casting to the mount clamp with one M8x20 SHCS screw and one M8 Nyloc nut (Figure 21). Using a 6 mm hex wrench and 13 mm spanner, fully tighten the screw and the Nyloc nut.
- Repeat Steps 1-4 on the opposite side of the POWER X1 (US).



4.5 Attaching the Straps

Note: Follow your local protocols for the placement and number of equipment straps needed to properly secure the equipment on the tray.

EQUIPMENT STRAPS

1. Unbuckle the straps and separate the pieces of each equipment strap.
2. Thread the loop-end of a strap through a slot in the tray, wrap the strap around the tray and insert the buckle (Figure 22) or tang through the loop.
3. Pull the buckle (or tang) and webbing through the loop until the loop is snug around the attachment point.
4. Repeat Steps 2 and 3 to attach the other half of a strap to the slot on the opposite side of the tray.
5. Repeat Steps 1-4 to attach the remaining three straps (Figure 23). Use additional straps as needed (not supplied). Additional straps can be purchased from Ferno (see *Parts and Service*, page 25).

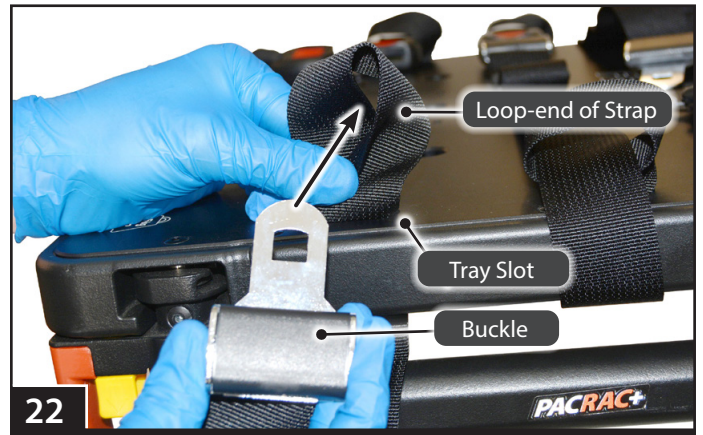
IV FLUID BAG STRAPS

1. Wrap the loop-side strip of the center (short) hook-and-loop fastener around the IV pole and secure with the hook-side strip (Figure 24).

Tip

Equipment Straps

It is easier to attach and remove equipment straps when the PacRac+ is unfolded for use, with the side frames locked.



5 - USING THE PACRAC+

5.1 Before Placing the PacRac+ in Service

- Personnel who will work with the PacRac+ need to read this manual.
- Confirm that the PacRac+ operates properly. See *Inspecting the PacRac+*, page 24.
- Confirm that the cot or iNjX operates properly with the PacRac+ securely attached. Refer to the cot or iNjX users' manual for operating instructions.
- Attach the four tray straps and two IV fluid bag straps to the PacRac+. See *Attaching the Straps*, page 13. Attach additional straps if needed, following local protocols.

5.2 General Guidelines for Use

- The PacRac+ is designed and tested for use during patient transport in a ground-based ambulance. The PacRac+ meets the crash-test requirements of AS/NZS 4535:1999 and SAE J3043.
- Operation of the PacRac+ requires one trained operator.
- Medical advice is beyond the parameters of this manual.
- It is the users' responsibility to ensure safe practices for the patient and themselves.
- The PacRac+ is for professional use only.
- Use the PacRac+ only when it is properly-maintained and in good working order.
- Always properly secure the PacRac+ to the cot or iNjX as instructed in this manual.
- Always properly secure objects on the PacRac+. Use the equipment straps provided, plus additional straps as needed, to secure the load on the PacRac+.

WARNING

Untrained operators can cause injury or be injured. Permit only trained personnel to operate the PacRac+.

Improperly securing the PacRac+ to the cot or iNjX can cause injury. Secure the PacRac+ only as instructed in this manual.

Improperly securing items on the PacRac+ can cause injury or damage. Use the straps provided, plus additional straps when needed, to secure items on the PacRac+.



Read the Users'
Manual



One Trained
Operator Required



Load Limit (Safe Working Load)

Include the weight of the IV fluid bags when calculating the load. Inspect the PacRac+ if the load limit has been exceeded (See *Inspecting the PacRac+*, page 24).

5.3 Unfolding the PacRac+ for Use

1. If an equipment strap was used to secure the legs in the folded position, unbuckle the strap.
2. Stand the PacRac+ upright, with the rear feet on a flat surface. Raise the tray to horizontal position (Figure 25). Continue to support the tray as you complete Step 3.
3. Rotate one side frame to the front of the PacRac+ and slide the side frame top lock into position in the tray (Figure 26).
4. Rotate the side frame handle 90° to the front of the PacRac+ to engage the side frame top lock (Figure 27).
5. Repeat Step 3 and Step 4 to position and lock the second side frame (Figure 28).
6. Verify that both side frames are securely attached to the tray and the locks are engaged before continuing.
7. If the straps were removed from the tray for storage, reattach them to the tray. See *Attaching the Straps*, page 13.



5.4 Attaching the PacRac+ to a cot or iNjX

Locate the accessory mounting points on the cot or iNjX (Figure 29).

1. Set the PacRac+ on the cot or iNjX main frame, positioned slightly toward the loading end of the cot or iNjX from the accessory mounting points (Figure 29).
2. Slide the PacRac+ toward the control end of the cot or iNjX until the rear feet lock into the accessory mounting points and the side frame bottom lock castings are seated over the mounting posts (Figure 29 and Figure 30).
3. Verify the PacRac+ is securely locked in place by attempting to push it toward the loading end of the cot or iNjX. If the PacRac+ is locked securely, it will not move.
4. If the PacRac+ slides away from the mounting points, reposition the PacRac+ and repeat Steps 1-3.
5. The installed PacRac+ on the various cots or iNjX are pictured as follows:
 - Mondial Monobloc - Figure 30
 - iNjX - Figure 31
 - POWERX (UK) - Figure 32
 - POWER X1 (US) - Figure 33

NOTICE

Depending on the size of the patient, the PacRac+ may prevent the use of the shock frame.



29



30

PacRac+ installed on Mondial Monobloc



31

PacRac+ installed on iNjX



5.5 Removing the PacRac+

1. Standing at the control end of the cot or iNjX, grasp both rear foot castings and press the red levers to disengage the locks (Figure 34).
2. Push the PacRac+ toward the loading end to unseat the PacRac+ from the mounting posts (approximately 3"/ 75 mm).
3. Lift the PacRac+ off the cot or iNjX and set it aside.



5.6 Using the IV Poles

Two IV poles are integrated into the PacRac+ (Figure 35). The IV poles are designed to carry bags of intravenous solution. Do not exceed the 4.4 lb/2 kg load limit on each IV pole. Weight attached to the IV poles must be included when calculating the total load on the PacRac+.

RAISING AN IV POLE

Note: The IV poles are not locked when in the lowered position.

1. Grasp the molded tip of an IV pole and extend the IV pole until it locks in the raised position (Figure 35).
2. Hang intravenous fluid bags on the IV pole hooks. Each hook is designed to hold a 1-liter/1-quart IV fluid bag.
3. Secure each IV fluid bag with a hook-and-loop strap (Figure 36).

LOWERING AN IV POLE

1. Remove IV fluid bags before lowering the IV poles.
2. Press the red button at the top of the IV pole (Figure 37) and lower the IV pole.

NOTICE

Include the weight of IV fluid bags and/or items attached to the IV poles when calculating the load on the PacRac+.



5.7 Securing Instruments on the PacRac+

The PacRac+ is designed to carry instruments such as defibrillators, pumps, monitors, and IV fluid bags with a combined weight of up to 55 lb/25 kg. Each IV pole has a load limit of 4.4 lb/2 kg, which must be included when calculating the load on the PacRac+.

Equipment can be secured to the PacRac+ by two methods:

1. Equipment straps (provided).
2. Ferno iN]TRAXX track system using an iN]TRAXX mount (not provided).

SECURING INSTRUMENTS USING EQUIPMENT STRAPS

Use the straps provided to safely secure all instruments placed on the PacRac+. Use additional straps if needed. Items with pole-clamps may be attached to the vertical side tubes of the PacRac+.

Before moving the cot or iN]X, verify that all items are safely secured to the PacRac+ (Figure 38).

It is the responsibility of the controlling Emergency Medical Service to devise the strapping methods for the particular instruments used by medical service personnel and to train the personnel in using those methods.

WARNING

Improperly securing items on the PacRac+ can cause injury or damage. Use the straps provided, plus additional straps when needed, to secure items on the PacRac+.

Exceeding the load limit can cause injury or damage. Include the weight of the IV fluid bags when calculating the load. Observe the 55 lb/25 kg load limit when attaching items to the PacRac+.



Load Limit (Safe Working Load)

Include the weight of the IV fluid bags when calculating the load. Inspect the PacRac+ if the load limit has been exceeded (See *Inspecting the PacRac+*, page 21).



SECURING INSTRUMENTS USING iN|TRAXX

The iN|TRAXX ambulance system is an integrated approach to ambulance design that brings equipment and supplies into one cohesive environment. It is based on a quick-connect track and mount system which enables equipment to be rapidly attached and detached.

Tracks are structured with large drop-in zones and a series of locking holes along the centre of the tracks to allow SafeMounts to lock into position (Figure 39).

To attach equipment to the track, equipment must first be secured to an iN|TRAXX SafeMount. Instructions are provided in the iN|TRAXX User Manual (ERS iNTRAXX User 3637R00) accompanying SafeMount products.

ATTACHING THE SAFEMOUNT TO THE TRACK

1. Place the SafeMount feet in the track's drop-in zones (Figure 40)
2. Press the mount into the track.
3. Slide to one side or the other until the SafeMount's locking pin locks in place (Figure 41).
4. Rotate the dual purpose lever to the left to tighten the SafeMount into position (Figure 41).

REPOSITION THE SAFEMOUNT

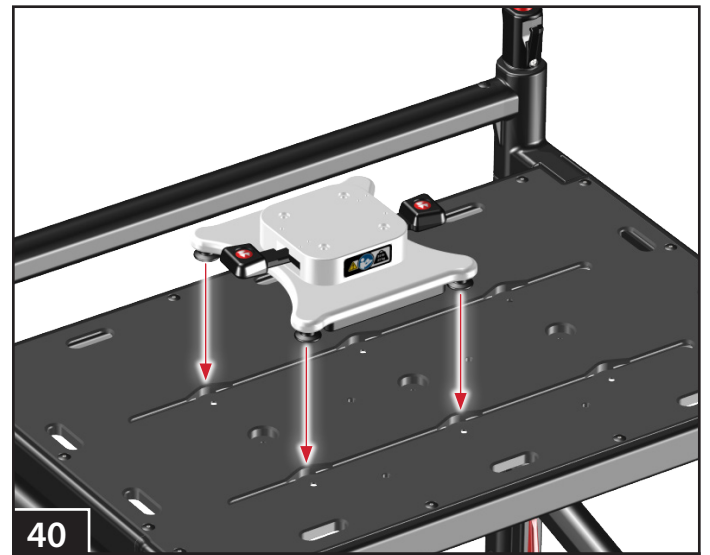
1. Rotate the dual-purpose lever to the right to loosen the SafeMount.
2. Pull the dual-purpose lever to retract the locking pin and allow the SafeMount to be moved or removed from the track.
3. Slide the SafeMount to one side or the other until the locking pin locks into a new locking position (Figure 41).
4. Rotate the dual-purpose lever to the left to tighten.

REMOVING THE SAFEMOUNT FROM THE TRACK

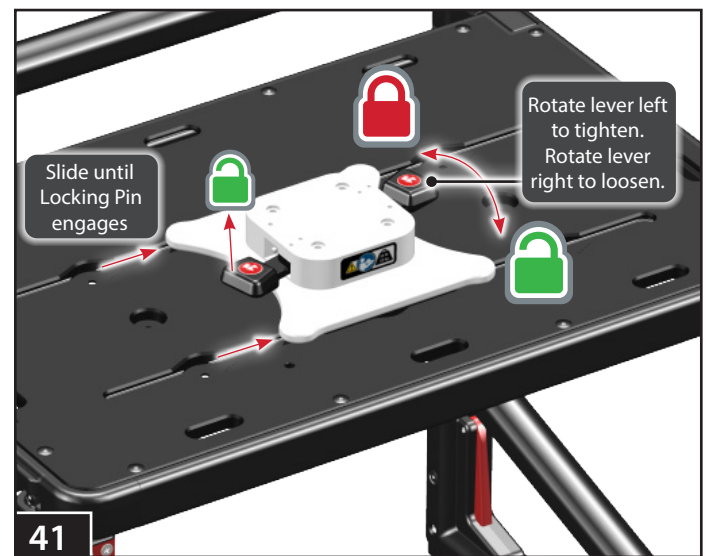
1. Rotate the dual-purpose lever to the right to loosen.
2. Pull the dual-purpose lever away from the track to retract the locking pin to release the mount (Figure 41).
3. Slide the SafeMount to a drop-in zone.
4. Remove the SafeMount from the track.



39



40



41

5.8 Patient Transfer

The PacRac+ may remain attached to the cot or iNjX when transferring a patient onto or off from the cot or iNjX. Follow your local protocols for patient transfer. When the PacRac+ is attached to the cot or iNjX:

1. Determine which side of the cot or iNjX will be used to transfer the patient onto or off from the cot or iNjX. Move, rearrange, or remove any equipment from the PacRac+ that could interfere with the patient transfer.
2. Unlock **ONLY** one PacRac+ side frame by pressing the yellow secondary catch (Figure 42). Pivot the red release handle 90° to the unlocked position.
3. Rotate the PacRac+ side frame 180° to position it out of the way of the patient (Figure 43).
4. Follow your local medical protocols for patient transfer. Move the patient onto or off the cot or iNjX using the open side of the cot or iNjX.
5. Return the PacRac+ side frame to the locked position when the transfer is complete (Figure 44).

WARNING

Unlocking both sides of the PacRac+ can cause injury. Unlock **ONLY** one PacRac+ side frame at a time. Use the PacRac+ **only** for the purpose described in this manual.



5.9 Folding and Storing the PacRac+

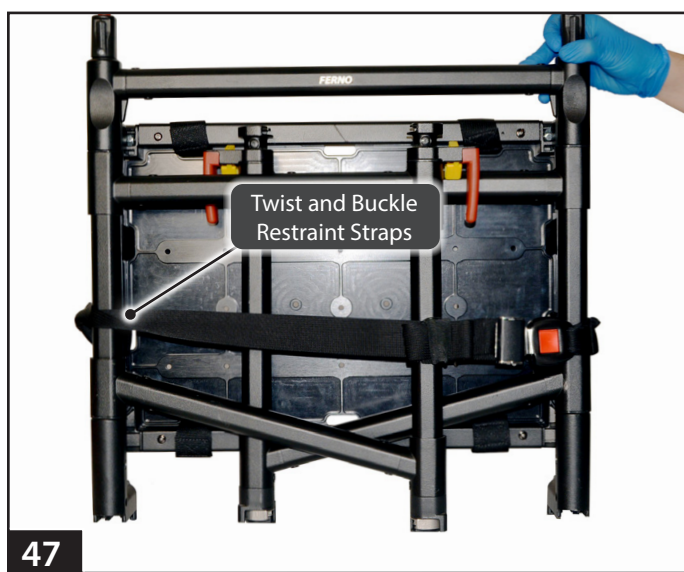
1. Unstrap and remove all items from the PacRac+.
2. Remove the PacRac+ from the cot or iN[X] and set it on a flat surface (See *Removing the PacRac+*, page 17).
3. Unlock one PacRac+ side frame by pressing the yellow secondary catch (Figure 42, page 21). Pivot the red release handle 90° to the unlocked position, and then rotate the PacRac+ side frame 270° so it lays flat against the rear frame of the PacRac+.
4. Support the tray with one hand while completing Step 5.
5. Unlock the second PacRac+ side frame by pressing the secondary catch. Pivot the red release handle 90° to the unlocked position, and then rotate the PacRac+ side frame 270° so it lays flat against the first side frame (Figure 45).
6. Lower/fold the tray.
7. To secure the legs and tray, unbuckle one of the equipment straps that span the width of the tray. Twist and wrap the strap around the rear of the PacRac+ and buckle the strap to secure the legs (Figures 46 and 47).
8. Remove and store, or neatly arrange the remaining straps to prevent damage to the straps.
9. Store the PacRac+ in a clean, dry place when not in use.



45



46



47

6 - MAINTENANCE

6.1 Maintenance Schedule

The PacRac+ requires regular maintenance. Set up and follow a maintenance schedule. The table at right represents minimum intervals for maintenance.

Keep maintenance records. A sample maintenance record sheet is provided on page 27.

When using maintenance products, follow the manufacturers' directions and read the manufacturers' material safety data sheets. You can purchase a recommended disinfectant from your Ferno distributor or Ferno Customer Relations (page 2).

6.2 Disinfecting the Straps

1. Remove the straps from the PacRac+.
2. Spray the metal buckles and tangs with a disinfectant cleaner, following the disinfectant manufacturer's instructions for application method and contact time. **Do not immerse the buckles or tangs in liquid.**
3. Hang the straps to air-dry if needed. Attach only dry straps to the PacRac+.

6.3 Cleaning the Straps

1. Immerse the strap webbing in a solution of mild soap and water. **Do not immerse the buckles or tangs in the solution.**
2. Repeatedly dip the webbing in clear water to rinse. **Do not immerse buckles or tangs in liquid.**
3. Hang the straps to air-dry. Dry out of direct sunlight. Attach only clean, dry straps to the PacRac+.

6.4 Disinfecting the PacRac+

Wipe all surfaces with disinfectant. Follow the disinfectant manufacturer's instructions for application method and contact time. Ferno recommends you inspect the PacRac+ for damage as you disinfect it.

6.5 Cleaning the PacRac+

1. Remove the straps and any accessories.
2. Hand clean all surfaces of the PacRac+ with warm water and a mild detergent.
3. Rinse with warm, clear water. Dry the PacRac+ with a towel or allow it to air-dry.



WARNING

Improper maintenance can cause injury. Maintain the PacRac+ only as described in this manual.

Minimum Maintenance Intervals	Each Use	As Needed	Each Month
Disinfecting (this page)	•		
Cleaning (this page)		•	
Inspecting (page 24)		•	•

NOTICE

Disinfectants and cleaners containing bleach, phenolics, iodines, or petroleum can cause damage. Do not use products containing these chemicals.

Using abrasive cleaning compounds or applicators on the PacRac+ can cause damage. Do not use abrasive materials to clean the PacRac+.

6.6 Lubricating the PacRac+

The PacRac+ is constructed with components that do not require lubrication. Do not apply lubricant to the PacRac+.

NOTICE

Lubricating parts that should not be lubricated allows dirt and foreign particles to collect on those parts, resulting in damage. Do not lubricate the PacRac+.



Do Not Lubricate

6.7 Inspecting the PacRac+

Have your service's equipment maintenance personnel inspect the PacRac+ regularly. Follow the checklist at right and operate the PacRac+ through all its functions as described in this manual.

If inspection shows damage or excessive wear, remove the PacRac+ from service until repair is made. If restraints are damaged, remove and replace them. Destroy damaged restraints to prevent accidental use. See *Parts and Service*, page 25.

Inspection Checklist

- Are all components present?
- Is the PacRac+ free of excessive wear?
- Are all screws, nuts, bolts, rivets, and roll pins securely in place?
- Do all moving parts operate smoothly and properly?
- Does the PacRac+ lock properly to the cot or iN]X?
- Do the side frames lock properly?
- Do the IV poles lock in the raised position?
- Do the release buttons function properly?
- Are the restraints properly installed?
- Is restraint webbing in good condition with no cuts or frayed edges?
- Are restraint buckles free of visible damage and do they operate properly?

7 - PARTS AND SERVICE

7.1 U.S.A. and Canada

In the United States and Canada, to order parts or for professional repairs, contact EMSAR® – the only agent authorized by Ferno to manage, service, and repair Ferno products.

Telephone (Toll-Free)	1.800.73.EMSAR
Telephone	1.937.383.1052
Fax	+1.937.383.1051
Internet	www.EMSAR.com

7.2 Worldwide

To order Ferno parts, and for professional repairs, contact your Ferno distributor. Your distributor is the only agent authorized by Ferno to manage, service, and repair Ferno products.

7.3 Parts List

No.	Part	Description	Qty.
1	91-0014	IV Tips and Buttons Kit	2
2	42-1032	PacRac+ IV Straps, pair	1 pr
3	42-1031	PacRac+ 2-piece Equipment Strap, ea	4
4	91-0012	Rear Foot Mounts Kit	2
5	91-0013	Side Frame Handles Kit	2
6	51-1007-MINI	PacRac+ Label Kit Mini	1
7	91-0008	PacRac+ Cot Mount Kit for iN X or Mondial (set*)	1
8	91-0039	PacRac+ Cot Mount Kit for POWER X1 (set*)	1
9	009010150	PacRac+ Fixing Kit for POWERX (UK)	1

Note: *The 91-0008 Cot Mount Kit contains all required hardware to mount the PacRac+ to a Mondial or iN|X (2 ea. rear-foot mounts, 2 front-foot mounts, and fasteners).

Note: *The 91-0039 Cot Mount Kit contains all required hardware to mount the PacRac+ to a POWER X1 (2 ea. rear-foot mounts, 2 front-foot mounts, and fasteners).

Note: The 009010150 PacRac+ Fixing Kit for POWERX (UK) contains all required hardware to mount the PacRac+ to the cot (2 ea. front-foot mount, 1 ea. left hand and right hand extension poles, and fasteners).

⚠ WARNING

Improper parts and service can cause injury. Use only Ferno parts and Ferno-approved service on the PacRac+.

Modifying the PacRac+ can cause injury and damage. Use the PacRac+ only as designed by Ferno.





11 Johnstone Road
Brendale QLD 4500, AUSTRALIA

Emergency

Rescue

Height Safety

Rock Climbing

Mortuary
