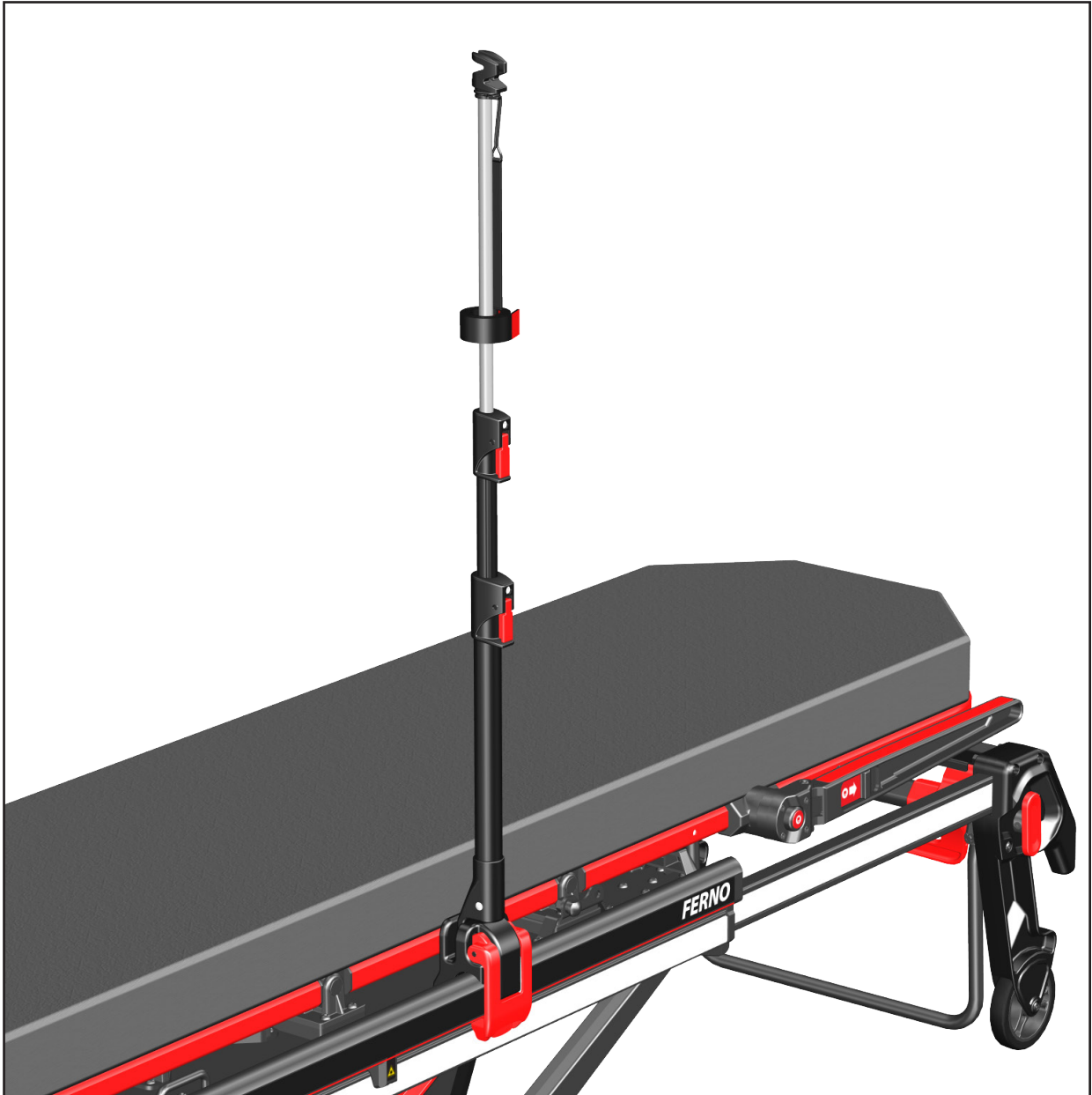


IV Pole

Clamp On, 3-Stage

LAIV-3SCL



Read this Manual and Retain
for Future Reference



Ferno Customer Relations

For ordering assistance or general information:

CANADA AND THE U.S.A.


Telephone (Toll-free)	1.877.733.0911
Telephone	1.937.382.1451
Fax (Toll-free)	1.888.388.1349
Fax	1.937.382.1191
Internet	www.ferno.com

ALL OTHER LOCATIONS

For assistance or information, please contact your Ferno distributor. If you do not have a Ferno distributor, please contact Ferno Customer Relations:

Ferno-Washington, Inc., 70 Weil Way
Wilmington, Ohio 45177-9371, U.S.A.

Telephone	Country Code +1.937.382.1451
Fax	Country Code +1.937.382.6569
Internet	www.ferno.com



USERS' MANUALS

To request additional free users' manuals, contact Ferno Customer Relations, your Ferno distributor, or www.ferno.com.



Serial Number _____

Location: Bottom of pole

Disclaimer

This manual contains general instructions for the use, operation and care of this product. The instructions are not all-inclusive. Safe and proper use of this product is solely at the discretion of the user. Safety information is included as a service to the user. All other safety measures taken by the user should be within and under consideration of applicable regulations and local protocol. Training on the proper use of this product must be provided before using this product in an actual situation.

Retain this manual for future reference. Include it with the product in the event of transfer to new users. Additional free copies are available upon request from Customer Relations.

Proprietary Notice

The information disclosed in this manual is the property of Ferno-Washington, Inc., Wilmington, Ohio, USA. Ferno-Washington, Inc. reserves all intellectual property rights, proprietary design rights, manufacturing rights, reproduction use rights, and sales use rights thereto, and to any article disclosed therein except to the extent those rights are expressly granted to others or where not applicable to vendor proprietary parts.

Limited Warranty Statement

The products sold by Ferno are covered by a limited warranty, which is printed on all Ferno invoices. The complete terms and conditions of the limited warranty, and the limitations of liability and disclaimers, are also available upon request by calling Ferno at 1.800.733.3766 or 1.937.382.1451.



Ferno Australia Pty Ltd
11 Johnstone Road
Brendale QLD 4500 Australia
+61 7 3881 4999



Ferno S.r.l.
Via B. Zallone 26, 40066
Pieve di Cento, Bologna, Italy
+39.051.6860028

TABLE OF CONTENTS

Section	Page	Section	Page
Ferno Customer Relations _____	2	5 -Maintenance _____	11
1 - Safety Information _____	4	5.1 Maintenance Schedule _____	11
1.1 Warning _____	4	5.2 Disinfecting and Cleaning the IV Pole _____	11
1.2 Important _____	4	5.3 Disinfecting and Cleaning the IV Bag Strap _____	11
1.3 Tip _____	4	5.4 Inspecting the IV pole _____	11
1.4 Bloodborne Disease Notice _____	4	6 - Parts and Service _____	12
1.5 Symbol Glossary _____	4	6.1 U.S.A. and Canada _____	12
1.6 Safety and Instruction Labels _____	4	6.2 Worldwide _____	12
2 - Operator Focus _____	5	6.3 Parts List _____	12
2.1 Operator Training _____	5	Training Record _____	13
3 - About the IV Pole _____	5	Maintenance Record _____	14
3.1 Description _____	5		
3.2 General Specifications _____	5		
3.3 Components _____	6		
4 - Using the IV Pole _____	7		
4.1 Before Placing the IV Pole in Service _____	7		
4.2 General Guidelines for Use _____	7		
4.3 Mounting the IV Pole _____	7		
4.4 IV Pole Mounting Location _____	7		
4.5 Attaching the IV Pole _____	8		
4.6 Removing the IV Pole _____	8		
4.7 Attaching the IV Bag Strap _____	9		
4.8 Adjusting the Pole Height _____	10		
4.9 Attaching IV Bags _____	10		
4.10 Attaching Equipment _____	10		
4.11 Storing the IV Pole _____	10		

1 - SAFETY INFORMATION

1.1 Warning

Warning notices indicate a potentially hazardous situation which, if not avoided, could result in injury or death.

WARNING

Untrained operators can cause injury or be injured. Permit only trained personnel to use the IV pole.

Improper use of the IV pole can cause injury. Use the IV pole only for the purpose described in this manual.

Improperly securing the IV pole to the cot or iNjX can cause injury. Secure the IV pole as instructed in this manual.

Improperly securing items to the IV pole can cause injury or damage. Use the IV pole as instructed in this manual.

Improper maintenance can cause injury. Maintain the IV pole only as described in this manual.

Improper parts and service can cause injury. Use only Ferno parts and Ferno-approved service on the IV pole.

Modifying the IV pole can cause injury and damage. Use the IV pole only as designed by Ferno.

1.2 Important

Important notices emphasize important usage or maintenance information. Failure to follow Important notices could result in damage to the product or property damage.

Important

1.3 Tip

Tips provide recommendations for easier use of the product.

Tip

1.4 Bloodborne Disease Notice

To reduce the risk of exposure to blood or other potentially infectious materials when using the IV pole, follow the disinfecting and cleaning instructions in this manual.

1.5 Symbol Glossary

The symbols defined below are used on the IV pole and/or in this' manual. Ferno uses symbols recognized by the International Standards Organization (ISO), American National Standards Institute (ANSI) and the emergency medical services industry.



Load Capacity
(Safe Working Load in pounds, kilogram)



Product meets
European Union Standards



Read the Users' Manual



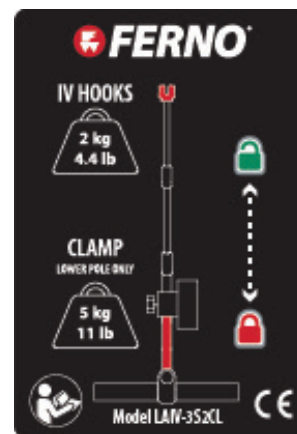
Authorized Representative in the
European Community



Manufacturer

1.6 Safety and Instruction Labels

Safety and instruction labels place important information from the users' manual on the IV pole. Read and follow label instructions. Replace worn or damaged labels immediately.



2 - OPERATOR FOCUS

2.1 Operator Training

Operator using the IV pole:

- must read and understand this manual.
- must have training on proper use of the IV pole.
- must have a training on emergency-medical service and emergency patient-handling procedures.
- must practice with the IV pole before using it in service.
- must keep training records. For a sample training record sheet, see page 13.

 WARNING
Untrained operators can cause injury or be injured. Permit only trained personnel to operate the IV pole.

3 - ABOUT THE IV POLE

3.1 Description

The Ferno® Model LAIV-3SCL IV pole (called the IV pole in this manual) is a device designed to carry IV solution bags and infusion pumps.

The IV pole is for professional use only, and mounts directly onto a Mondial® Monobloc cot or iN|X Patient Transport & Loading System™.

FEATURES

- Aluminum and stainless steel pole sections
- Simple to use folding system
- Quick-release clamps for adjusting the length of the pole.
- Double Sided hook-and-loop fastening material strap to secure IV fluid bags



3.2 General Specifications

Specifications for the IV pole are shown in the table at right. General specifications are rounded. Metric conversions are calculated before rounding the Imperial measurement.

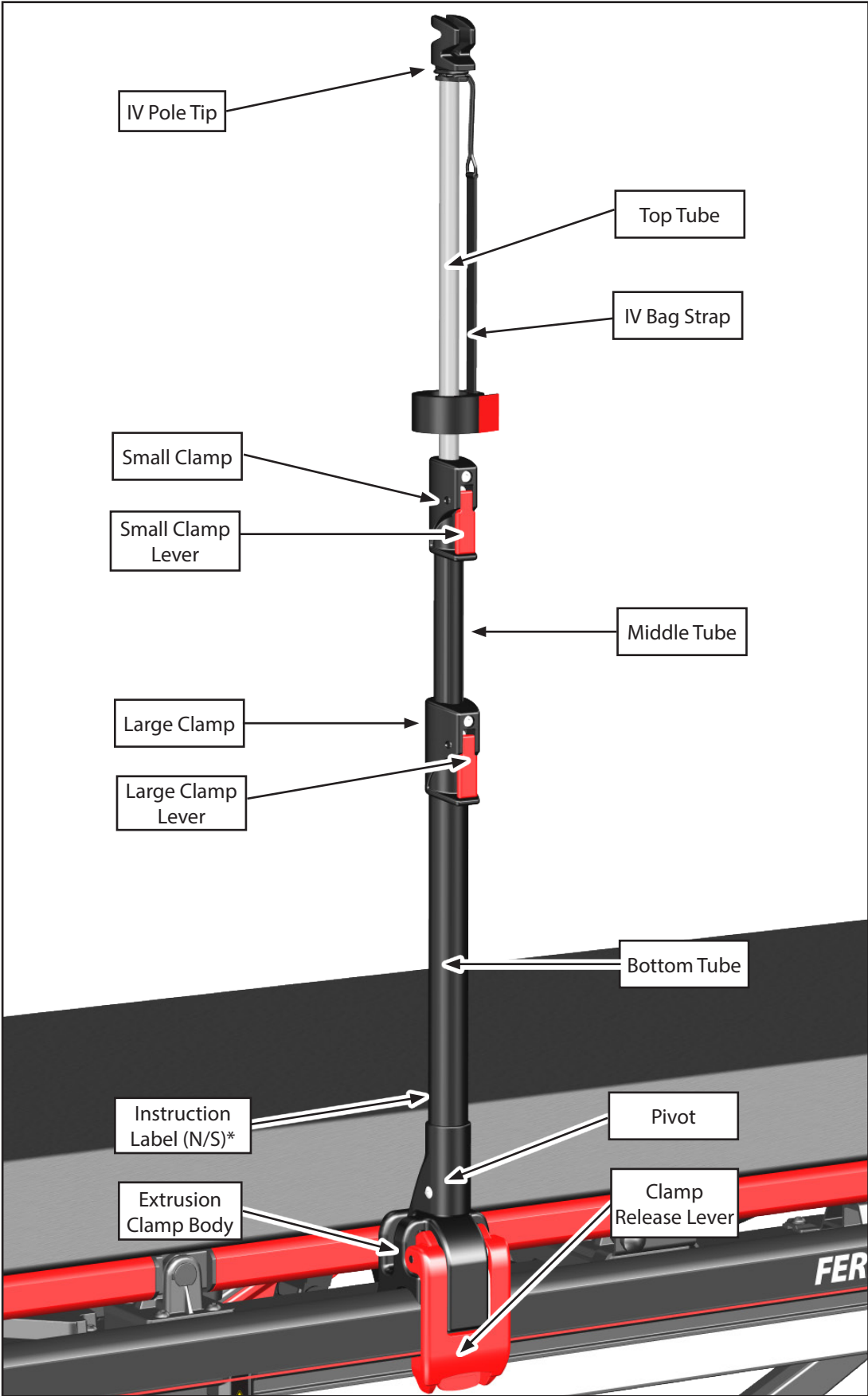
Ferno reserves the right to change specifications without notice. For more information, contact Ferno Customer Relations or your Ferno distributor (page 2).

 WARNING
Improper use of the IV pole can cause injury. Use the IV pole only for the purpose described in this manual.

Dimensions	Imperial	Metric
Height (Top of Extrusion Clamp Body to Tip)		
With Sections Retracted	17 in	431.8 mm
Extended	38 in	965.2 mm
Folded Height	1.75 in	44.5 mm
Length		
Folded	19.5 in	500 mm

Load Capacity	
 2 kg 4.4 lb IV HOOKS	 5 kg 11 lb CLAMP LOWER POLE
Inspect the IV pole if the load capacity has been exceeded. See page 11.	

3.3 Components



*N/S = Not Shown

4 - USING THE IV POLE

4.1 Before Placing the IV Pole in Service

- Personnel who will work with the IV pole need to read this manual.
- Confirm that the IV pole operates properly. See "Inspecting the IV Pole," on page 11.
- Confirm that the cot or iNjX operates properly with the IV pole securely attached.

4.2 General Guidelines for Use

- It is the users' responsibility to ensure safe practices for the patient and themselves.
- The IV pole is for professional use only.
- Use the IV pole only when it is properly maintained and in good working order. See "Maintenance," on page 11.
- Always properly secure the IV pole to the cot or iNjX, as instructed in this manual.
- Always properly secure instruments to the IV pole. Use the straps provided, plus additional straps if needed.

4.3 Mounting the IV Pole

Important

Mount the IV pole so that it does not interfere with the operation of the cot or iNjX.

Each IV pole mounts on a Mondial® Monobloc or iNjX. Figure 1 and 2 illustrate the correct mounting area(s).

A properly mounted IV pole:

- is mounted on the accessory rail of the cot or iNjX.
- does not interfere with the operation of the cot or iNjX.
- does not contact the patient.
- does not interfere with working EMTs.
- does not extend beyond the end of the cot or iNjX when the cot or iNjX is folded.

4.4 IV Pole Mounting Location

1. The 3-Stage IV Pole with Clamp can be mounted to the iNjX or Mondial® Monobloc (Figures 1 and 2). The clamp mounts to a recess on the inside of the accessory rail and is secured using the clamp release lever.
2. The IV pole can be positioned on either side of the cot or iNjX. Although the clamp can be positioned anywhere within the mounting area (Figures 1 and 2), other accessories may prevent the clamp from being mounted.

Tip

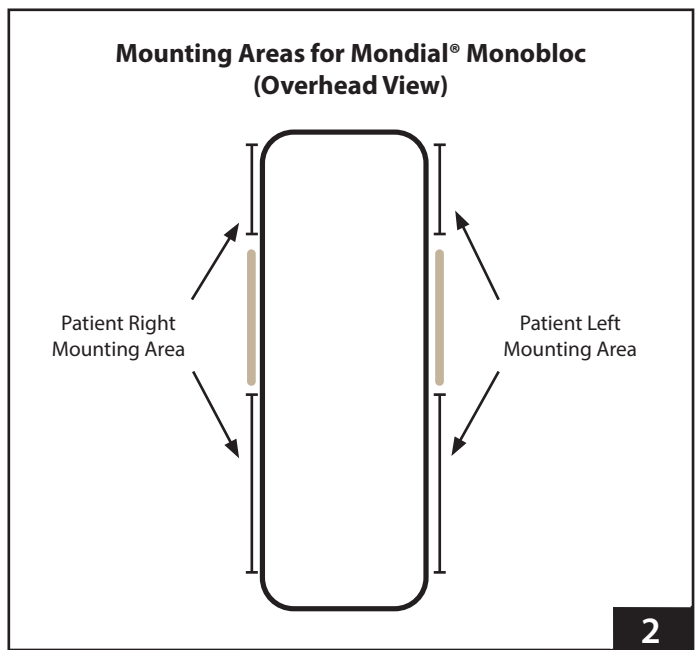
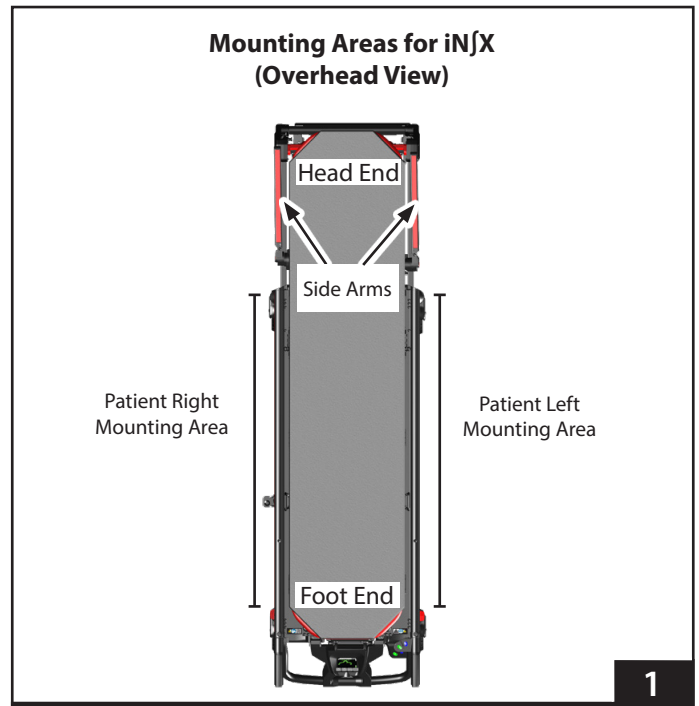
Mounting Point Location

To ensure proper operation of the IV pole, select the correct mounting point for your pole/cot or iNjX combination and follow the mounting guidelines and instructions in this manual.

WARNING

Untrained operators can cause injury or be injured. Permit only trained personnel to use the IV pole.

Improperly securing the IV pole to the cot or iNjX can cause injury. Secure the IV pole as instructed in this manual.



4.5 Attaching the IV Pole

Important

The horizontal surface on the inside of the accessory rail must be clear of fittings and other obstructions.

Verify the latch bar is engaged on the lip of the accessory rail when attaching it to the cot or iNjX.

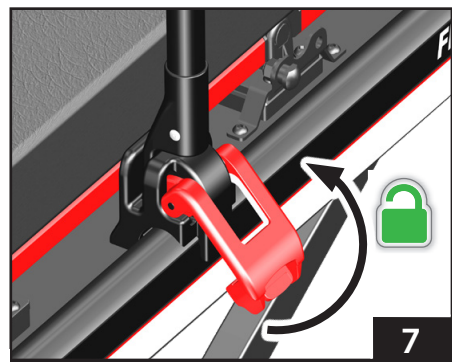
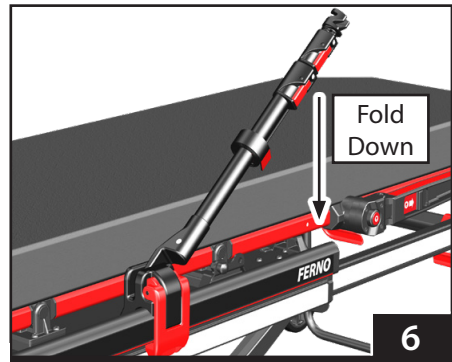
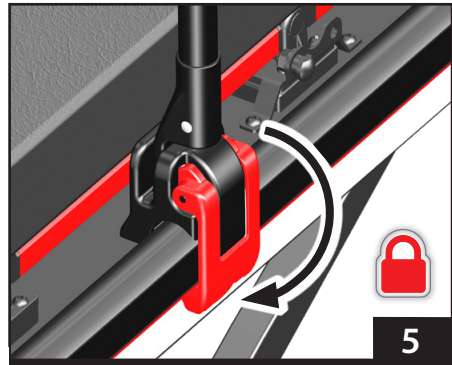
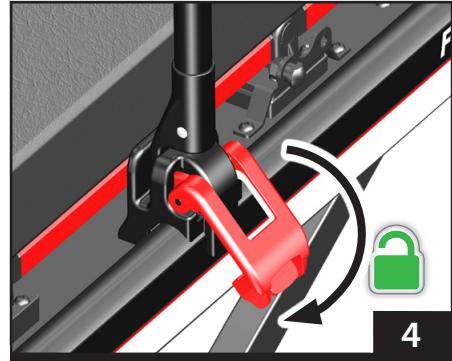
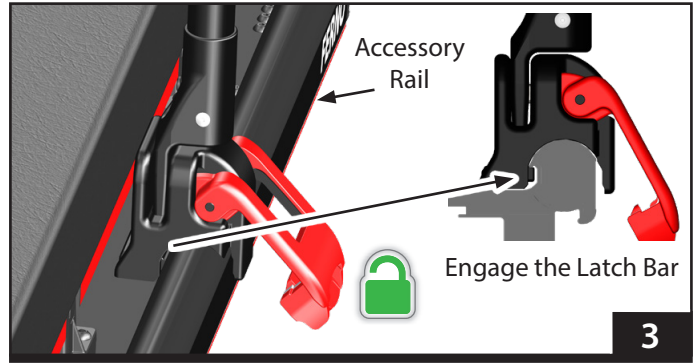
Note: Attaching the IV pole is easier with the pole in the upright position.

1. Determine which side of the cot or iNjX the IV pole is to be mounted to.
2. With the IV pole in the upright position, fit the extrusion clamp body on the inner surface of the accessory rail, and verify the latch bar is engaged on the lip of the accessory rail (Figure 3).
3. With the inner clamp body resting on the accessory rail, push down on the clamp release lever (Figure 4).
4. Continue to push the lever firmly until it snaps onto the lower edge of the accessory rail (Figure 5).
5. Verify the operation of the cot or iNjX is not affected by the IV pole by folding the IV pole down towards the accessory rail.

4.6 Removing the IV Pole

Note: Removing the IV pole is easier with the pole in the upright position.

1. Rotate the IV pole upright and place it in the upright position.
2. Lift the clamp release lever (Figure 7) to unlock the IV pole from the side rail, and remove the IV pole.



4.7 Attaching the IV Bag Strap

1. Push the cord loop of the IV bag strap through the hole at the bottom of the IV pole tip (Figure 8).
2. Pull the cord loop over the IV pole tip (Figure 9), and align the loop with the groove near the base of the IV pole tip (Figure 10).
3. Pull the other end of the cord loop so that the cord tightens on the IV pole tip (Figure 11).
4. Reverse this procedure to remove the strap for cleaning.



4.8 Adjusting the Pole Height

Important

Verify the lever clamps are locked prior to adding items to the IV pole.

The IV pole has three sections with two adjusters to provide a compact IV pole that can be quickly adjusted to a wide range of heights. The top and middle stages of the IV pole can be raised or lowered in any sequence.

To adjust the pole height:

1. While supporting the top of the IV pole, lift either the small or large red clamp lever to adjust the top or middle tube of the IV pole (Figure 12).
2. Raise or lower the telescoping pole to the desired height while holding the bottom tube in place.
3. Push in the red clamp lever to the locked position (Figure 13).
4. If required raise or lower the other section of the pole.

4.9 Attaching IV Bags

IV solution bags weighing less than a total of 2 kg (4.4 lb) may be attached to the IV pole tip. Use the hook-and-loop strap provided to secure either one or two bags.

1. Clip the IV bag onto the tip - mount one bag only on each side (Figure 14).
2. Wrap the IV bag strap around the bag or bags to secure them (Figure 14 and 15).
3. For storage, wrap the IV pole strap around the pole.

4.10 Attaching Equipment

Important

Attach equipment ONLY to the bottom tube of the IV pole.

- Equipment weighing up to 5 kg, such as an IV pump, may be fitted with a pole clamp to the bottom tube.
- Attach equipment securely to the IV pole bottom tube, following the manufacturers' instructions.
- Remove all equipment before storing the IV pole.

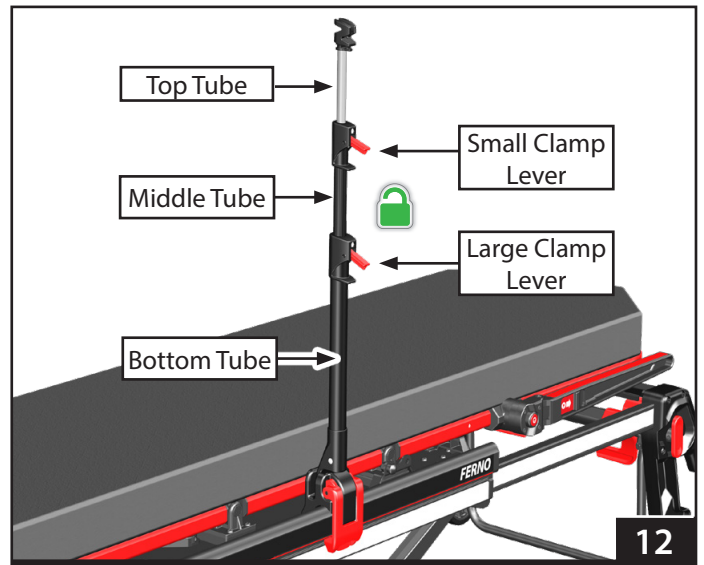
4.11 Storing the IV Pole

1. Unstrap and remove all items from the IV pole, leaving the strap hanging free.
2. Lower both sections of the pole fully.
3. Wrap the IV bag strap around the pole.
4. Lift up on the bottom tube and rotate the pole toward the accessory rail.
5. If desired the IV bag strap can also be used to secure the IV pole in the folded position to the cot or iN|X, taking care not to affect the safe operation of the cot or iN|X.

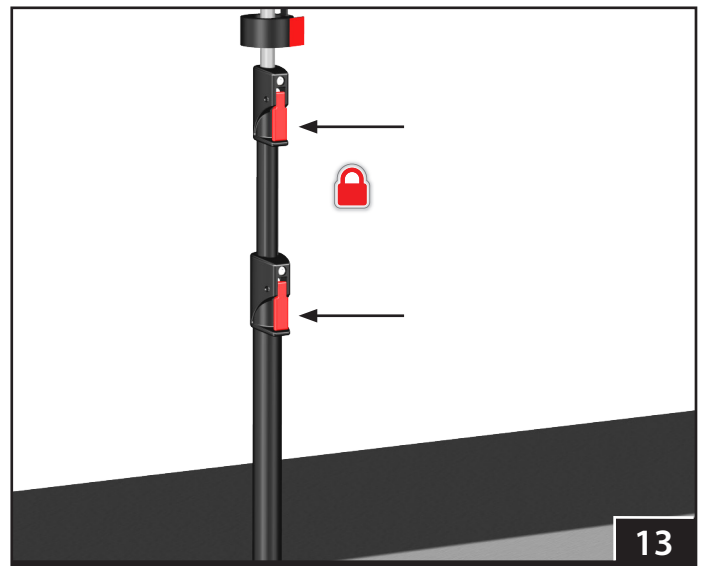


WARNING

Improperly securing items to the IV pole can cause injury or damage. Use the IV pole as instructed in this manual.



12



13



14



15

5 - MAINTENANCE

5.1 Maintenance Schedule

The IV pole requires regular maintenance. Set up and follow a maintenance schedule. The table at the right represents minimum intervals for maintenance.

Keep maintenance records. A sample maintenance record sheet is provided at the back of this manual. See "Maintenance Records," on page 14.

When using maintenance products, follow the manufacturers' directions and read the manufacturers' material safety data sheets. The IV pole is constructed using parts and materials that require no lubrication. Only trained service personnel are permitted to disassemble and service the IV pole.

5.2 Disinfecting and Cleaning the IV Pole

DISINFECTING

Wipe all surfaces with disinfectant. Follow the disinfectant manufacturer's instructions for application method and contact time. Ferno recommends you inspect the IV pole for damage as you disinfect it.

CLEANING

1. Hand clean all surfaces of the IV pole with warm water and a mild detergent.
2. Rinse with warm, clear water. Dry the IV pole with a towel or allow it to air-dry.

5.3 Disinfecting and Cleaning the IV Bag Strap

Remove the IV bag strap following the steps in "Attaching the IV Bag Strap," page 9. Spray all parts of the IV bag strap with disinfectant. Follow the disinfectant manufacturer's directions for use. Place the strap in a mesh bag (not supplied) and machine wash in warm water with a mild detergent. Hang the IV bag strap to dry (do not place the IV bag strap in a dryer).

5.4 Inspecting the IV pole

Have your service's equipment maintenance personnel follow the instructions "Using the IV Pole," pages 7-10, and follow the inspection checklist at the right.

The inspection limits listed at the right are maximum allowable damage and are not to be exceeded. Item function takes precedence over allowable damage. If the unit has greater damage than what is listed, or does not function correctly, then it must be removed from service and replaced.

WARNING

Improper maintenance can cause injury. Maintain the IV pole only as described in this manual.

Minimum Maintenance	Each Use	As Needed	Monthly
Disinfecting	•		
Cleaning		•	
Inspecting		•	•

Important

Disinfectants and cleaners containing bleach, phenolics or iodines can damage the IV pole and straps. Disinfect and clean the IV pole and straps only with products that do not contain these chemicals.

Water under high pressure can penetrate joints, flush away lubricant and cause corrosion. Do not use a high-pressure washer or steam, to clean the IV pole.

Inspection Checklist

- Are all components present?
- Are the knurled pins in the clamps firmly in place?
- Do all moving parts operate smoothly and properly?
- Does the pole operate properly without interfering with the cot or iNjX operation?
- Is the IV bag strap in good condition with no cuts or frayed edges?

Type of Damage	Permissible Damage
Cracks	None
Dents	Up to 1 mm
Scratches and nicks	OK

6 - PARTS AND SERVICE

6.1 U.S.A. and Canada

In the United States and Canada, to order parts or for professional IV Pole repair, contact EMSAR® – the only agent authorized by Ferno to manage, service, and repair Ferno products.

Telephone (Toll-Free)	1.800.73.EMSAR
Telephone	1.937.383.1052
Fax	+1.937.383.1051
Internet	www.EMSAR.com

6.2 Worldwide

To order Ferno parts, and for professional IV Pole repair, contact your Ferno distributor. Your distributor is the only agent authorized by Ferno to manage, service, and repair Ferno products.

6.3 Parts List

No.	Part	Description	Qty
1	42-1030	IV Bag Strap - Tip Mount	1
2	51-0082	Label 3 Stage IV Pole	1

WARNING

Improper parts and service can cause injury. Use only Ferno parts and Ferno-approved service on the IV pole.

Modifying the IV pole can cause injury and damage. Use the IV pole only as designed by Ferno.

